

VOLKEL

MIKROELEKTRONIK

CCC-/CCC-A-Navigator



...how to do **digital earthwork and road construction right**

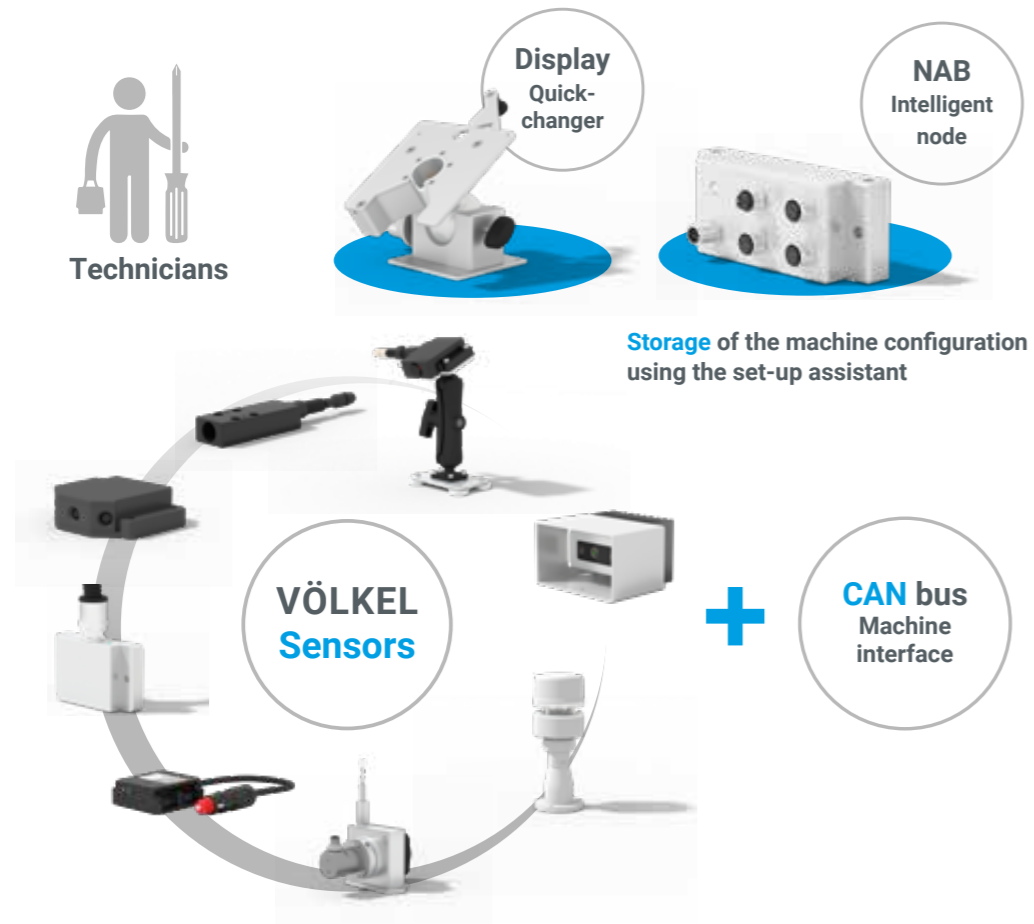


Flexible digitalisation of your machine park

One system for all machines



1. Manufacturer-independent pre-equipping of the machine park



3. Easy plug-and-play at the construction site



2. ONE navigator set can be used for ALL machine types





Clear separation of the pre-equipment and navigator set

Navigator set

The Navigator display can be easily installed and removed on pre-equipped machines using a quick-change setup with just a few simple steps. The GNSS RTK receiver with an LTE modem is precisely and quickly positioned using powerful magnets.



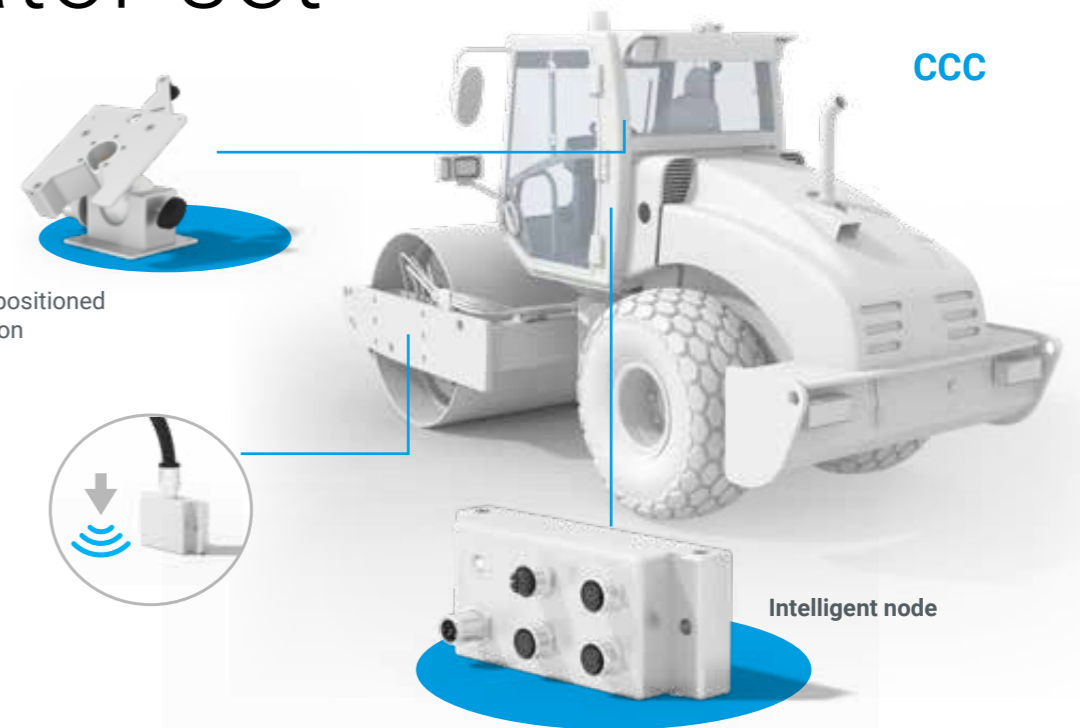
- Navigator set**
- Navigator display
 - GNSS RTK receiver with LTE modem
 - Sturdy hard-shell case

GNSS RTK receiver with LTE modem

Navigator display with quick-change connection

Display quick changer
Can be flexibly positioned during installation

Compaction sensor



CCC

Intelligent node

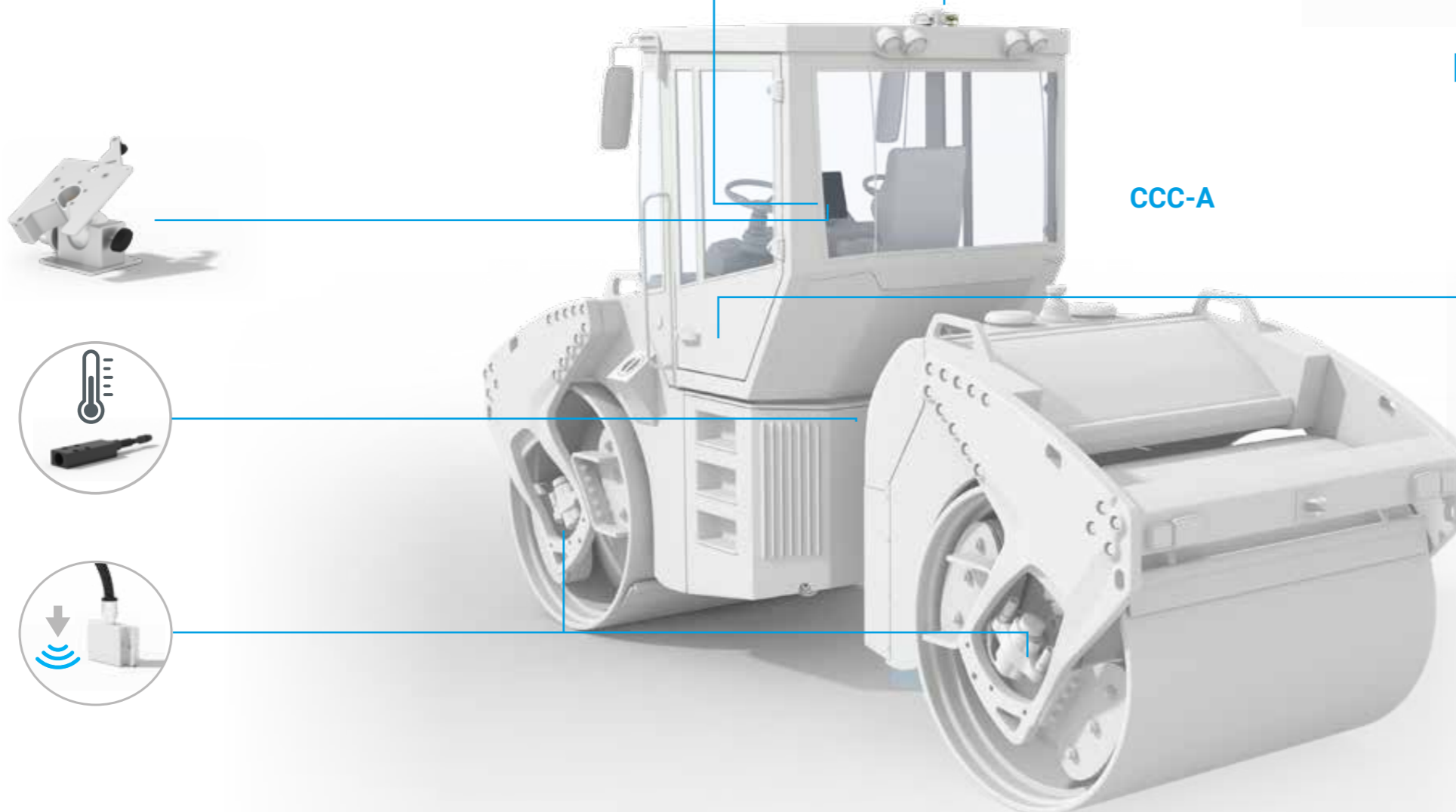
Pre-equipment

The pre-equipment includes all permanently installed components and can be mounted on any machine from any manufacturer. Machine-specific settings are stored in the intelligent node.

Display quick changer
Can be flexibly positioned during installation

Asphalt temperature sensor

Vibration and oscillation sensors



CCC-A



Intelligent node

Perfect interaction through networking



VÖLKEL cloud



Networking via mobile communication through neutral servers



Data access for responsible parties

PC software CompactDoc – All-In-One: Transparency, analysis, remote maintenance and documentation

The VÖLKEL cloud server and our universal PC software solution, CompactDoc, which is supplemented by the Navigator Webb app, are always at your fingertips:

Analysis and evaluation functions

- Statistics, measurement points, measurement value diagrams
- Comparison of compression and/or temperature and stiffening data
- Customisable reporting functions e.g. strip chart
- Export (CSV, KMZ)
- Documentation with detailed visualisations and analyses

Administrative capabilities of the construction site

- Remote function on the navigators of the rollers and pavers
- Integration of CAD and alignment data
- Defining target and limit values
- Rights management

Automatic data synchronisation

Unified program and database

- Soil compactor
- paver and
- asphalt roller

Völkel service

We are committed to providing perfect customer service.

We strive to always present complex matters in a simple way to ensure your success.

- We offer consultations before, during and after implementation
- On-site support at the construction site
- Training
- Assistance with pre-equipment installation on the machine.

We are here to help you with any specific requirements or general inquiries.

Server
API

To process control providers

CCC-A

LOGISTICS & PAVE

CCC

Data recording and visualisation of machine data for machine operators

System explanation





VOLKEL
MIKROELEKTRONIK

Völkel Mikroelektronik GmbH

Otto-Hahn-Straße 30

48161 Münster

Germany

+49 2534 9731-0

info@voelkel.de



www.voelkel.de