

Temperature sensor

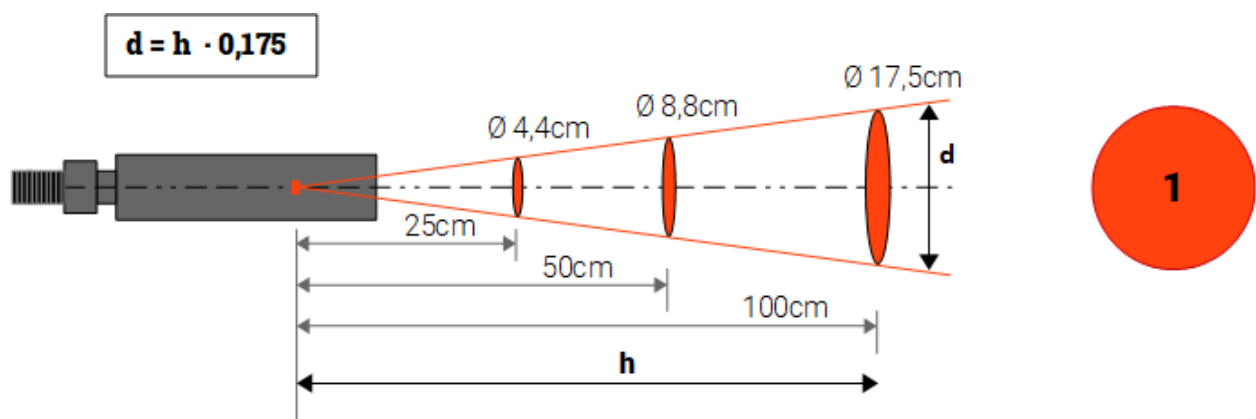
Infrared sensor with CAN interface for non-contact measurement of surface temperatures

Its compact size and robust design make it particularly interesting for mobile applications. Its wide measuring range enables a wide range of applications. The sensor can be digitally integrated via CAN bus.



Properties:

- CAN interface
- Field of view 10°
- Circular measuring point
- Wide measuring range for a wide range of applications
- Compact size without moving parts



Example of use in asphalt construction:

- Subgrade measurement in front of the paver
- Surface temperature under the tandem roller

Technical data:

Overall dimensions	(W/H/D) 40mm x 25mm x 115mm (without wedge)	
Housing / protection category	Aluminium housing, protection category IP69k (DIN EN 60529)	
Weight	approx. 0,25kg	
Connections	Built-in plug 5pil. M12	
Supply	UB = 8..32V (reverse polarity protected), approx. 16mA at 12V	
Sensor	Field of view: 10° Measuring range: -50°C to 360°C Accuracy: ±0,5°C (TObject. = TUmgeb. = 0..50°C) ±2°C (TObject. = 0..180°C TUmgeb. = 0..85°C)	
Signal transmitter	1 optical signal transmitter (housing LED)	
Interfaces	1 CAN (maximum baud rate: 1Mbit/s)	
Operating temperature range	-40..85°C (housing temperature)	
EMV	Directive 2014/30/EU Road vehicles: Construction machinery: Agricultural and forestry machinery: Industrial use:	ISO 10605, ISO 7637-1, ISO 7637-2, ISO 7637-3 DIN EN ISO 13766-1 DIN EN ISO 14982 DIN EN 61000-6-2, DIN EN 61000-6-4
Mechanical, climatic resilience	Oscillation: Shock, continuous shock: Shocks due rough handling: Cold: Dry heat: Temperature changes: Damp heat:	DIN EN 60068-2-6 DIN EN 60068-2-27 DIN EN 60068-2-31 DIN EN 60068-2-1 DIN EN 60068-2-2 DIN EN 60068-2-14 DIN EN 60068-2-30

Pin assignment, 5-pin M12 built-in plug:

Pin-No.	Labelling	Description
1	SG	Signal ground
2	UB	Supply
3	DG	Supply mass
4	CH	CAN line H
5	CL	CAN line L

Overall dimensions:

