

VOLKEL

MIKROELEKTRONIK

CCC-/CCC-A-Navigator



...how to do **digital earthwork and road construction right**

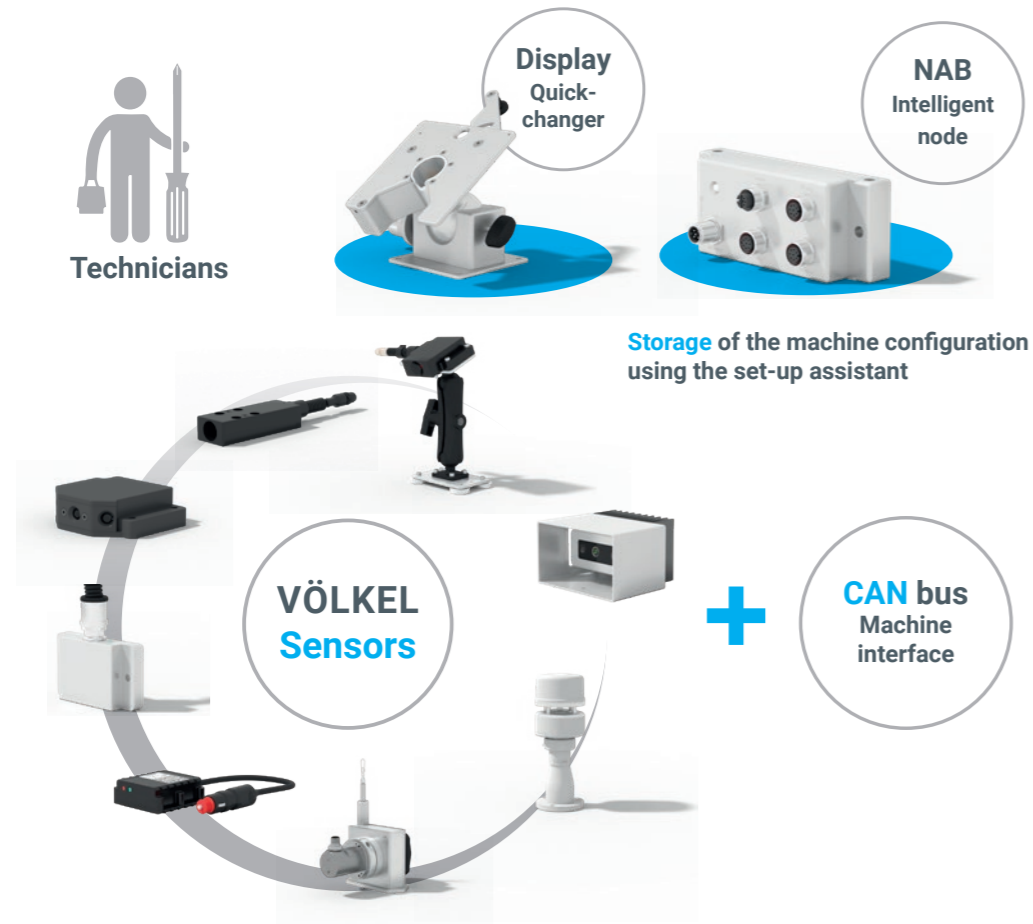


Flexible digitalisation of your machine park

One system for all machines



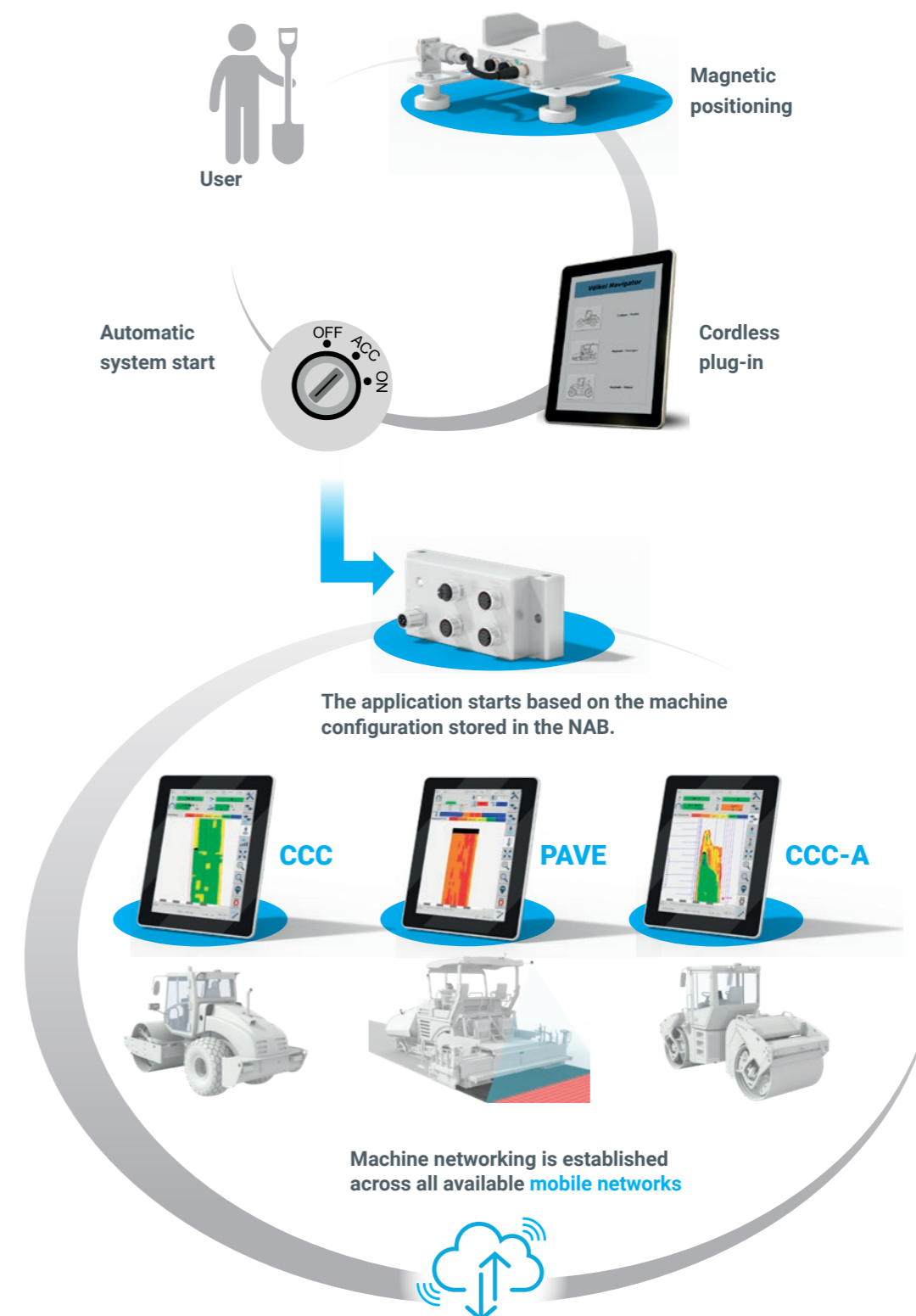
1. Manufacturer-independent pre-equipping of the machine park



2. ONE navigator set can be used for ALL machine types



3. Easy plug-and-play at the construction site

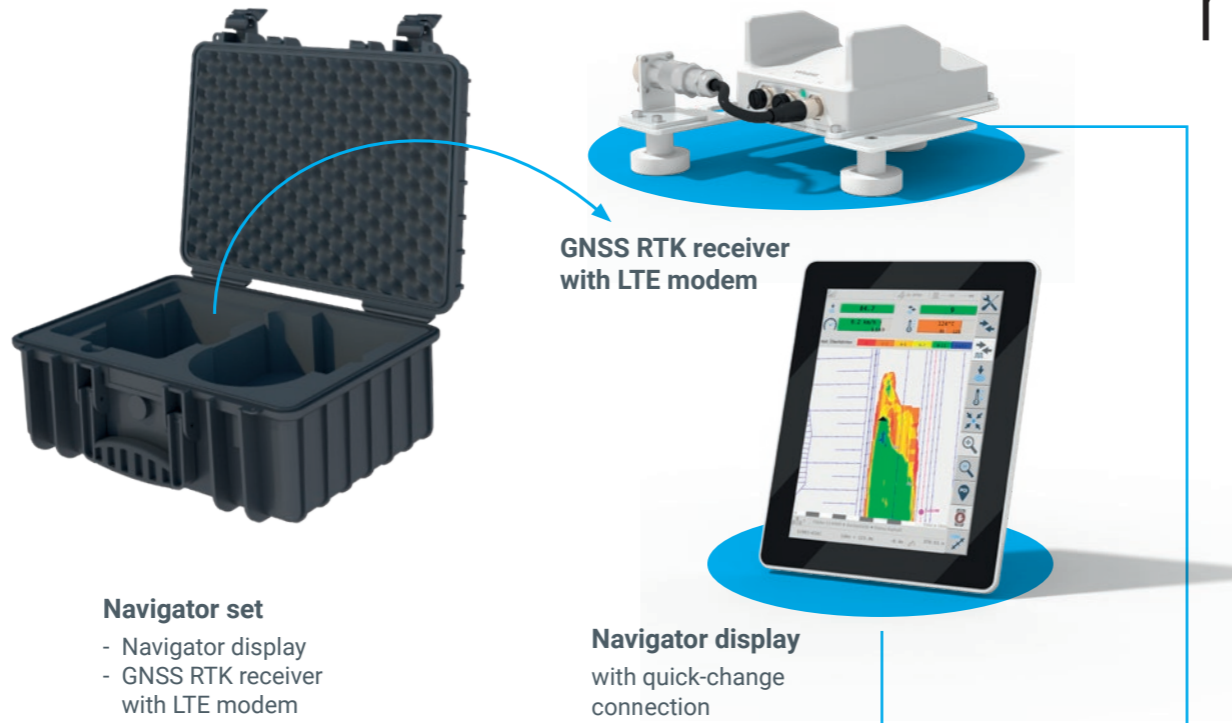




Clear separation of the pre-equipment and navigator set

Navigator set

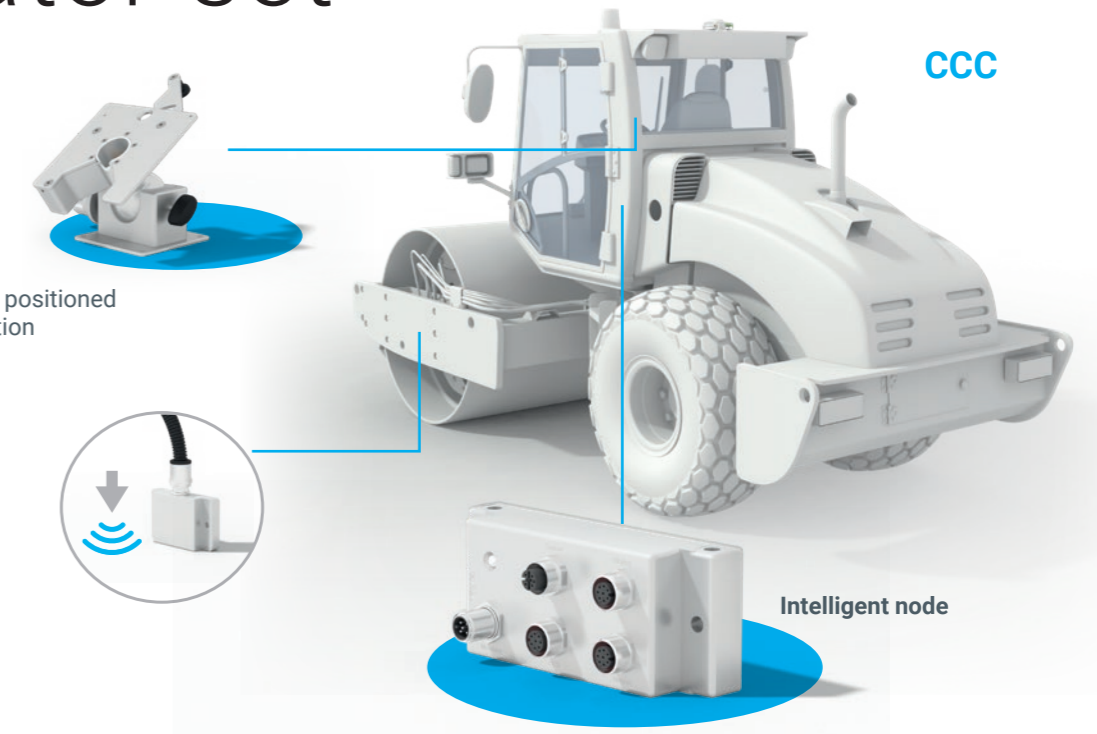
The Navigator display can be easily installed and removed on pre-equipped machines using a quick-change setup with just a few simple steps. The GNSS RTK receiver with an LTE modem is precisely and quickly positioned using powerful magnets.



- Navigator set**
- Navigator display
 - GNSS RTK receiver with LTE modem
 - Sturdy hard-shell case

Display quick changer
Can be flexibly positioned during installation

Compaction sensor



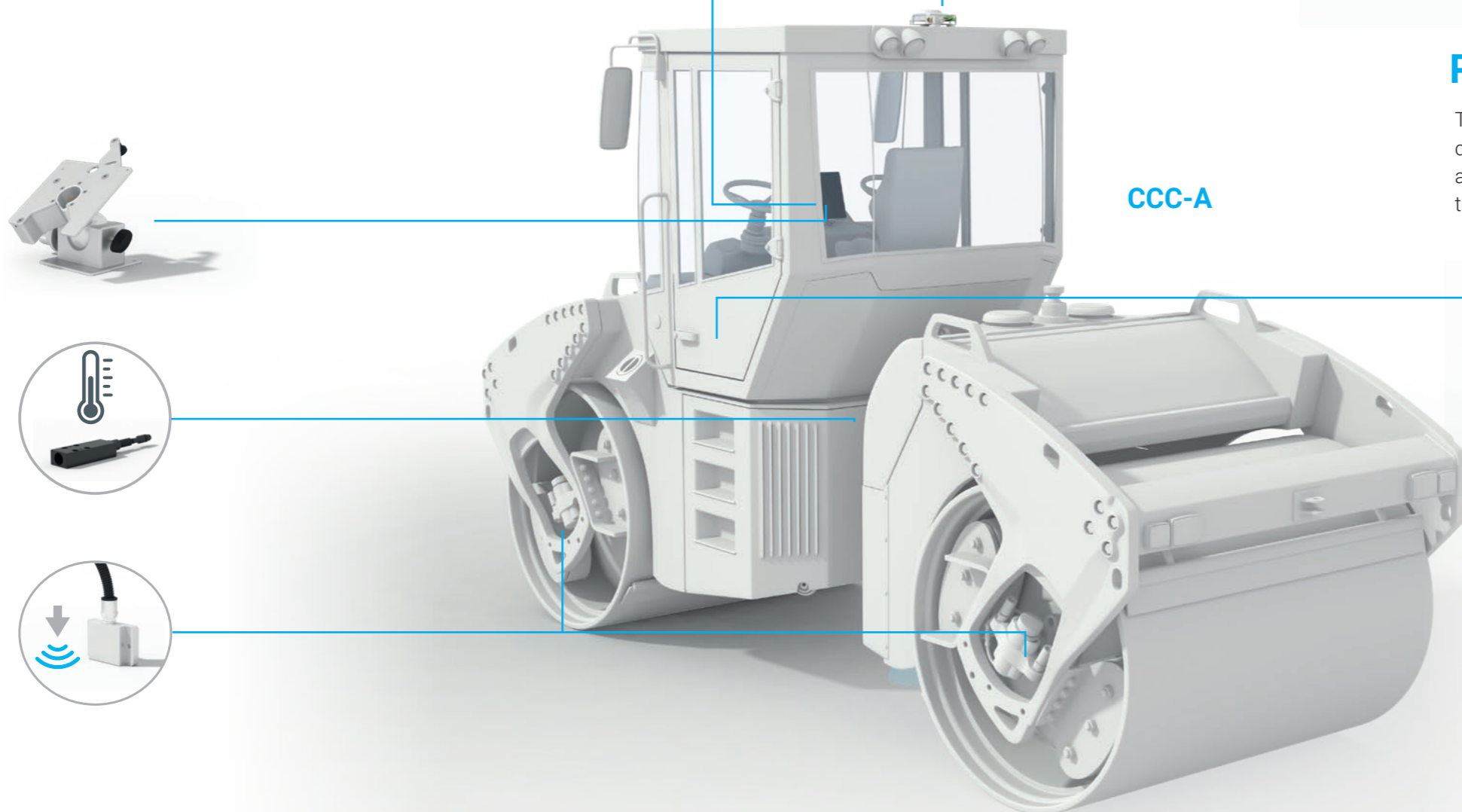
Pre-equipment

The pre-equipment includes all permanently installed components and can be mounted on any machine from any manufacturer. Machine-specific settings are stored in the intelligent node.

Display quick changer
Can be flexibly positioned during installation

Asphalt temperature sensor

Vibration and oscillation sensors



Perfect interaction through networking



VÖLKEL cloud



Networking via mobile communication through neutral servers



Data access for responsible parties

PC software CompactDoc – All-In-One: Transparency, analysis, remote maintenance and documentation

The VÖLKEL cloud server and our universal PC software solution, CompactDoc, which is supplemented by the Navigator Webb app, are always at your fingertips:

Analysis and evaluation functions

- Statistics, measurement points, measurement value diagrams
- Comparison of compression and/or temperature and stiffening data
- Customisable reporting functions e.g. strip chart
- Export (CSV, KMZ)
- Documentation with detailed visualisations and analyses

Administrative capabilities of the construction site

- Remote function on the navigators of the rollers and pavers
- Integration of CAD and alignment data
- Defining target and limit values
- Rights management

Automatic data synchronisation

Unified program and database

- Soil compactor
- paver and
- asphalt roller

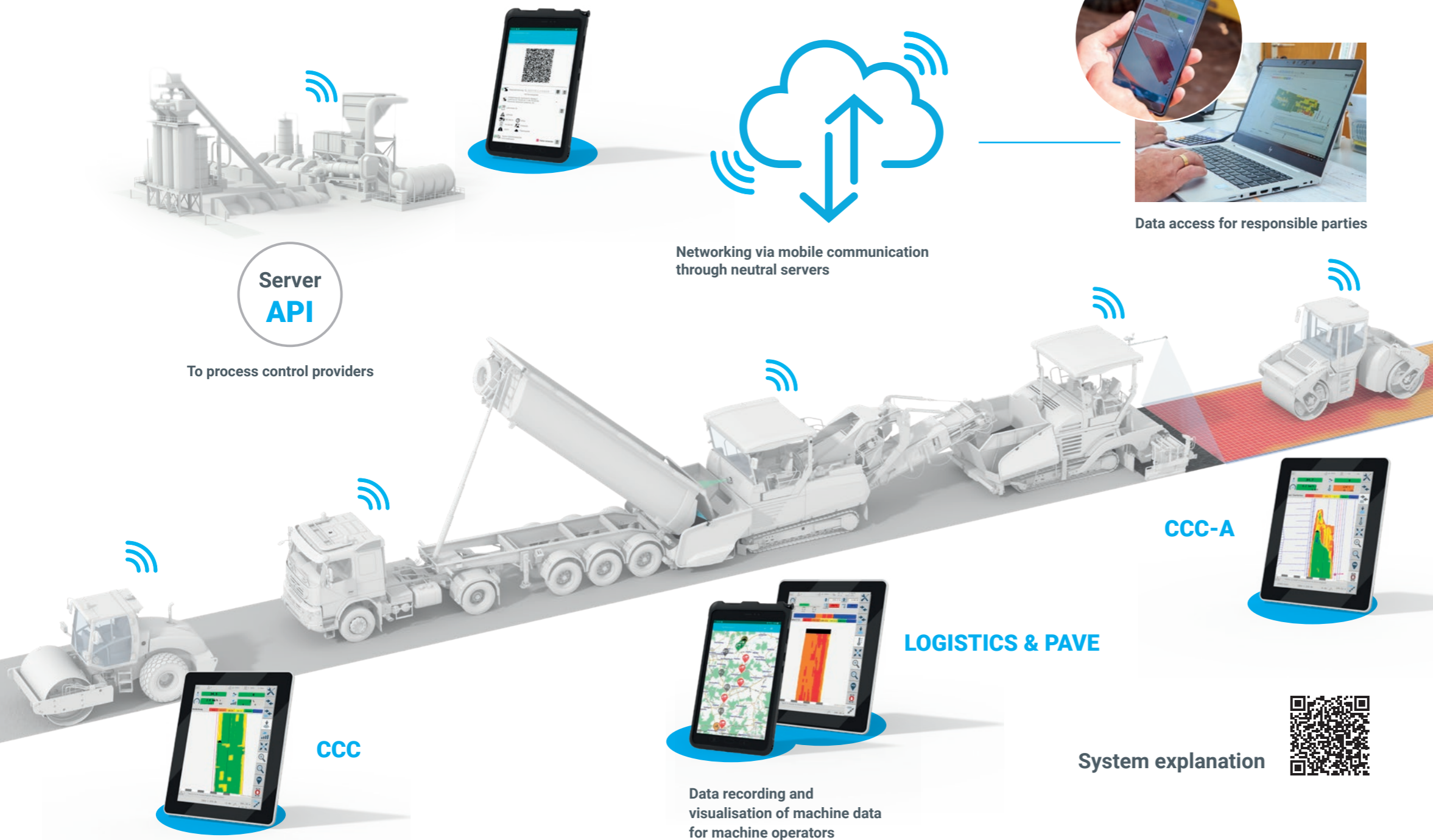
Völkel service

We are committed to providing perfect customer service.

We strive to always present complex matters in a simple way to ensure your success.

- We offer consultations before, during and after implementation
- On-site support at the construction site
- Training
- Assistance with pre-equipment installation on the machine.

We are here to help you with any specific requirements or general inquiries.





VOLKEL
MIKROELEKTRONIK

Völkel Mikroelektronik GmbH

Otto-Hahn-Straße 30
48161 Münster
Germany

+49 2534 9731-0

info@voelkel.de



www.voelkel.de